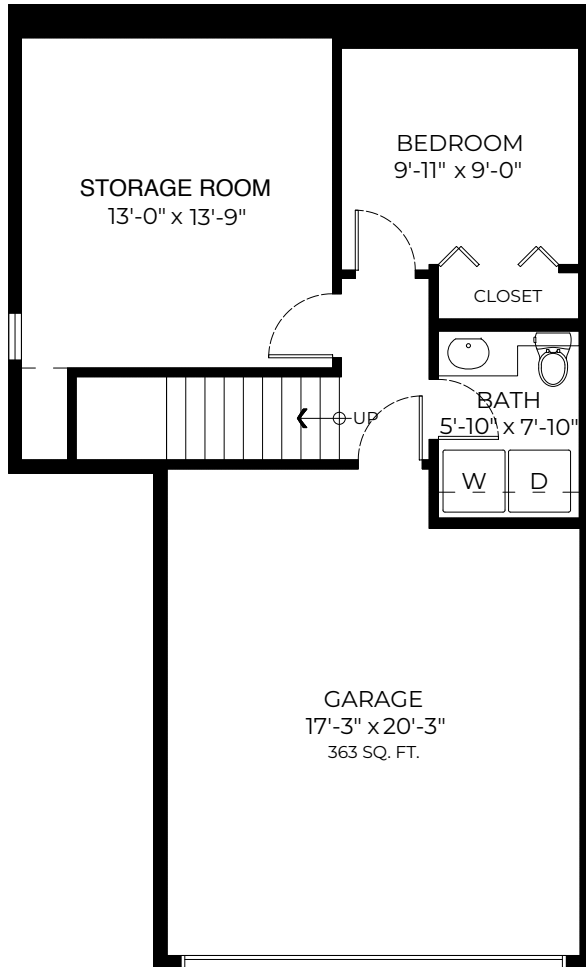
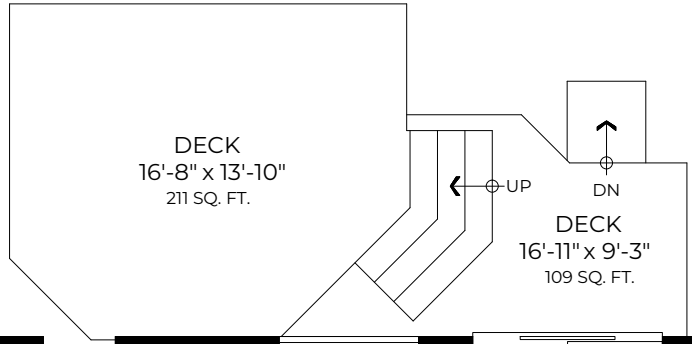


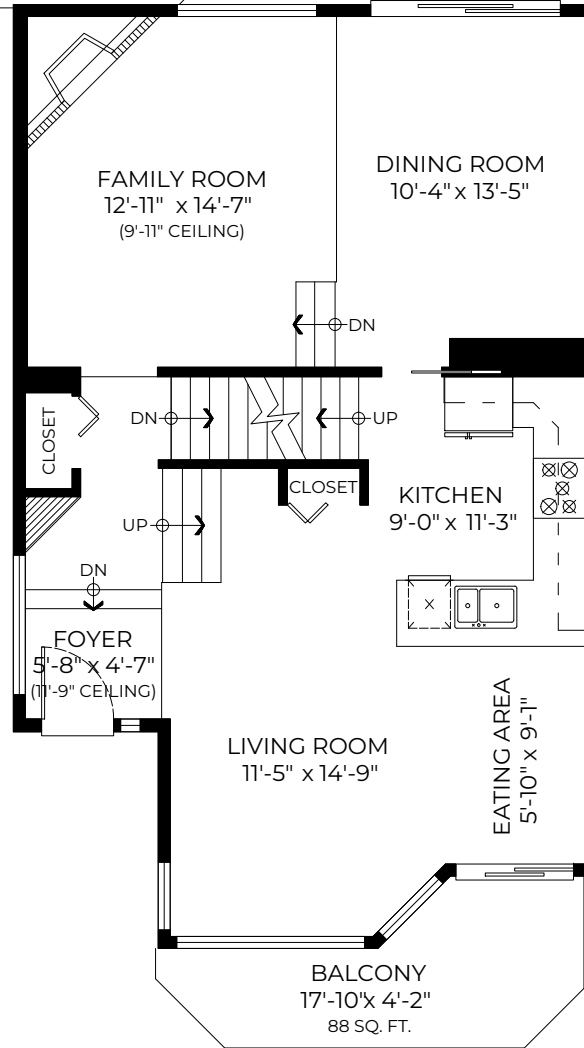
#12-22488 116 Avenue, Maple Ridge, BC

Upper Floor: 828 SQ. FT.
 Main Floor: 879 SQ. FT.
 Lower Floor: 478 SQ. FT.
Total: 2185 SQ. FT.

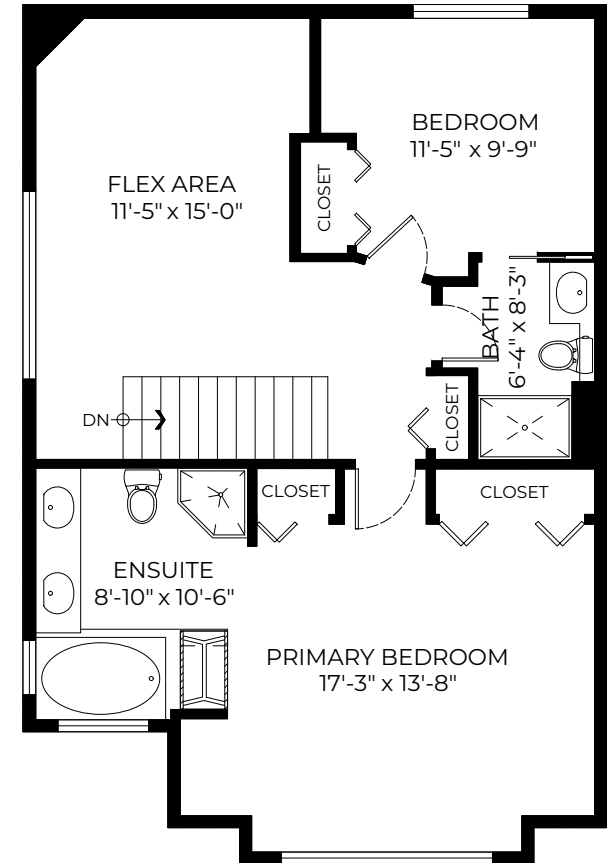
Balcony: 88 SQ. FT.
 Deck: 109 SQ. FT.
 Deck: 211 SQ. FT.
 Garage: 363 SQ. FT.



LOWER FLOOR PLAN
 Ceiling Height: 8'-0"



MAIN FLOOR PLAN
 Ceiling Height: 8'-0"



UPPER FLOOR PLAN
 Ceiling Height: 8'-0"

